



RPE Srl

Leader in Fluid Management Control

100%  
MADE IN ITALY

# Fitting with double check valve



[www.rpesrl.it](http://www.rpesrl.it)



# Main features

100%  
MADE IN ITALY

2

**Working pressure:** 0-10bar

**Room temperature:** 0-65°C

**Fluid temperature:**

0-75°C

max 1h at 90°C

**Flow direction:** unidirectional

**Nominal diameter:** Ø13mm

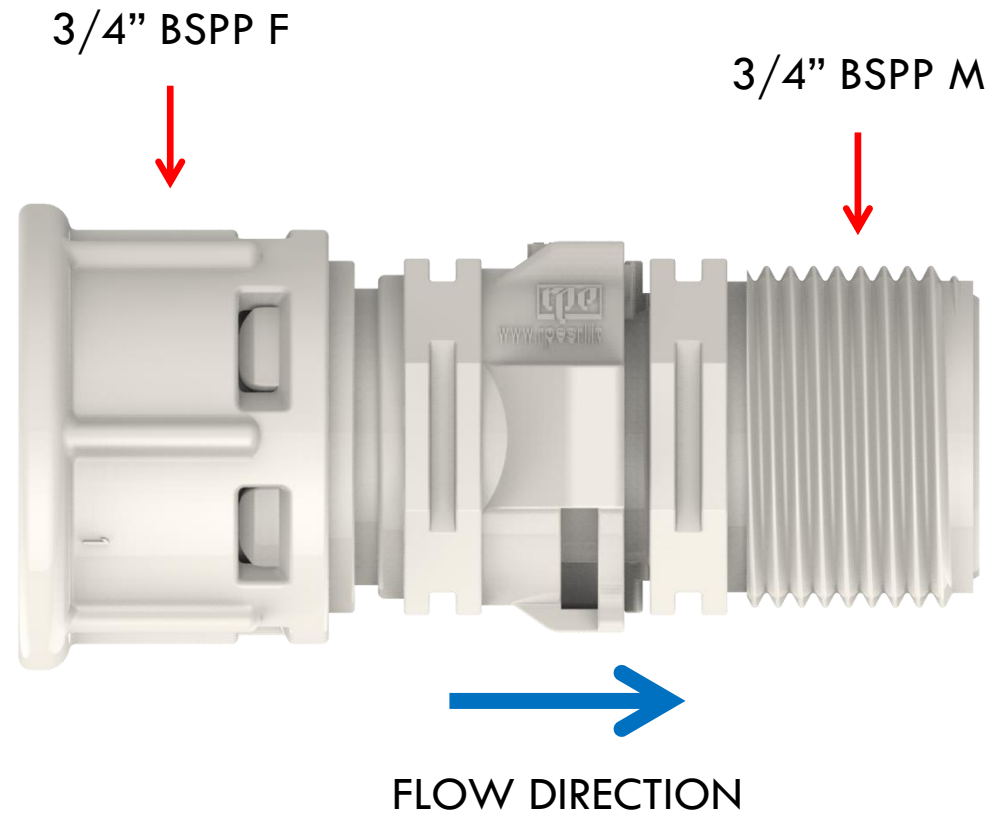
**Inlet:** 3/4" BSPP M/F

**Outlet:** 3/4" BSPP M/F

**Benefit:**

suitable for high flow rate

designed according to backflow prevention standard

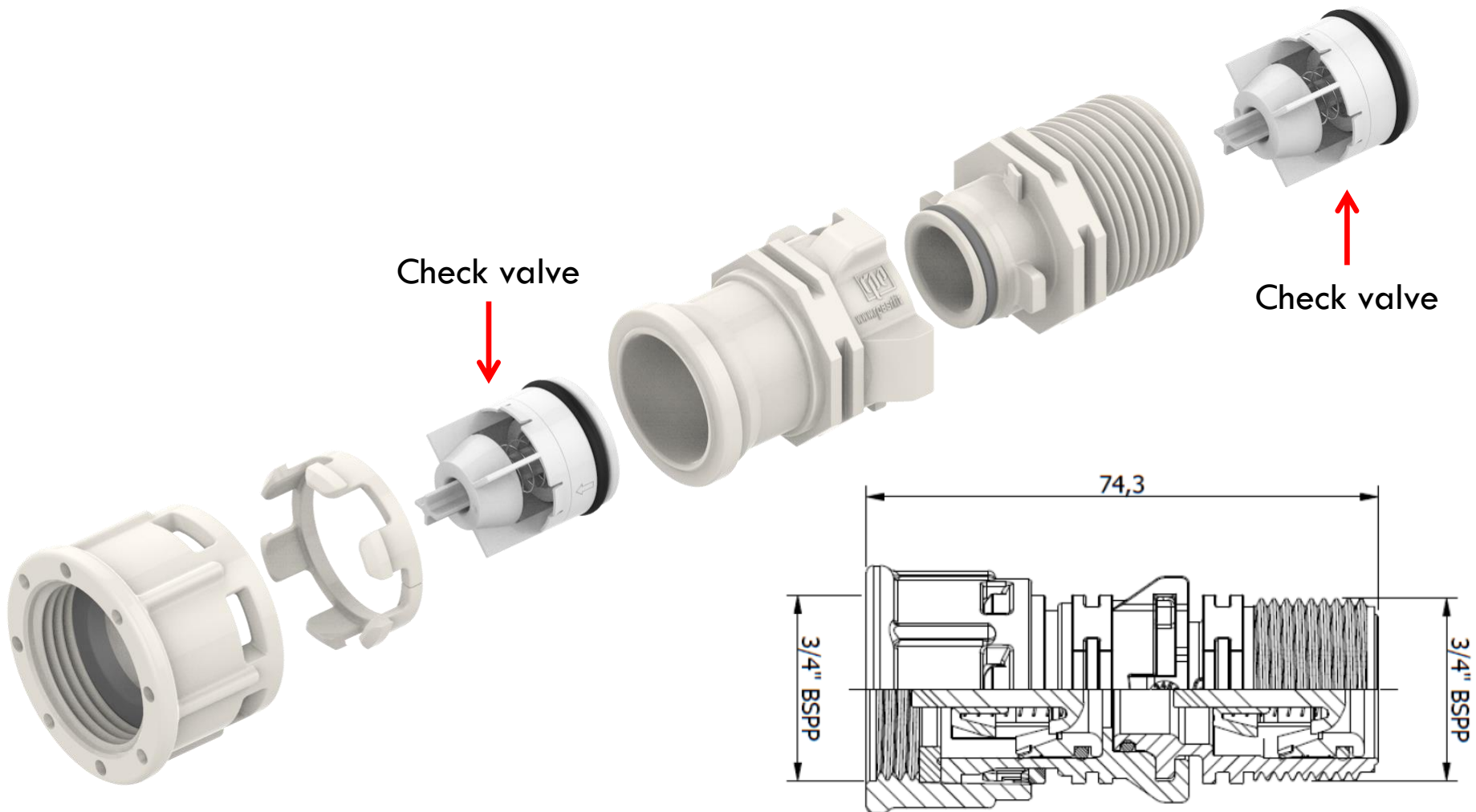




# Exploded view

100%  
MADE IN ITALY

3





# Physical characteristics

100%  
MADE IN ITALY

4

**Fitting:** PA 66 GF 30%

**Fitting gasket:** LSR

**Check valve:** PPO GF

**Check valve gasket:** EPDM

**Check valve spring:** stainless steel

**Assembly:** joint





# Certifications

100%  
MADE IN ITALY



5

- MOCA
- EN 13959:2005 - EN 61770:2019 Annex Z.2

**Test Report**

**“Type Tests (TT) on Cartridge Check Valves with a Polymer Housing  
referring to EN 13959 and EN 61770 Z.2 “**

Short Title: TT – Check Valves - EN13959 and EN 61770



Test Report No.: V208/22  
Order No.: 402302084  
Issued by Department Pipe Systems  
Laboratory for Pipe System Testing

**Recognised test laboratory of DVGW, DIN CERTCO and DIBt**  
The recognitions are valid for the test methods stated in the attachments of certificates of approval  
DVGW LW-BU0023, DIN CERTCO PL121 and DIBt SAC 08



RPE Srl

Leader in Fluid Management Control

100%  
MADE IN ITALY

# Cartridge with double check valve



[www.rpesrl.it](http://www.rpesrl.it)



# Main features

100%  
MADE IN ITALY

7

**Working pressure:** 0-10bar

**Room temperature:** 0-90°C

**Fluid temperature:** 0-90°C

**Flow direction:** unidirectional

**Nominal diameter:** Ø7mm

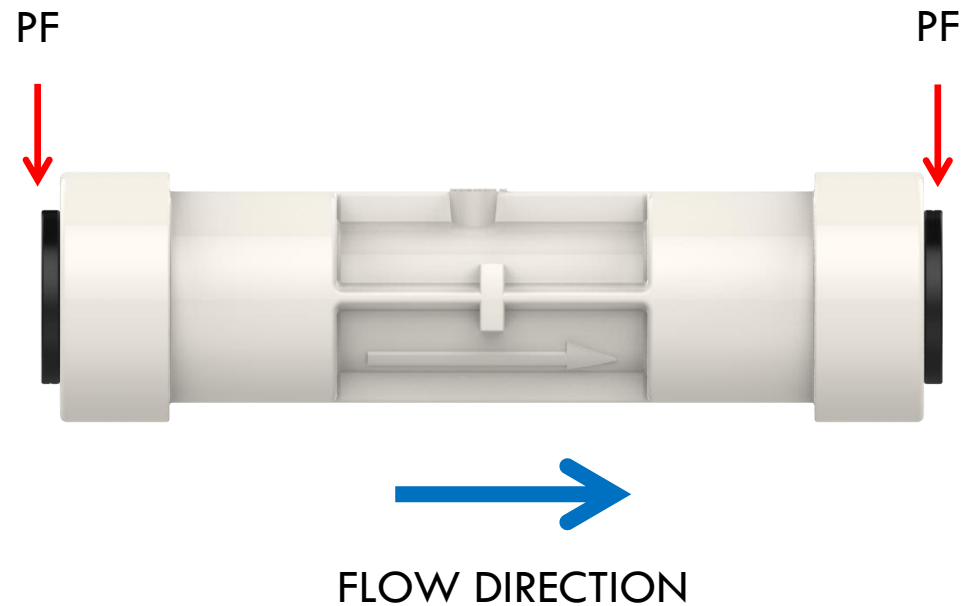
**Inlet:** JG 8 - 10 - 3/8"

**Outlet:** JG 8 - 10 - 3/8"

**Benefit:**

designed according to

backflow prevention standard

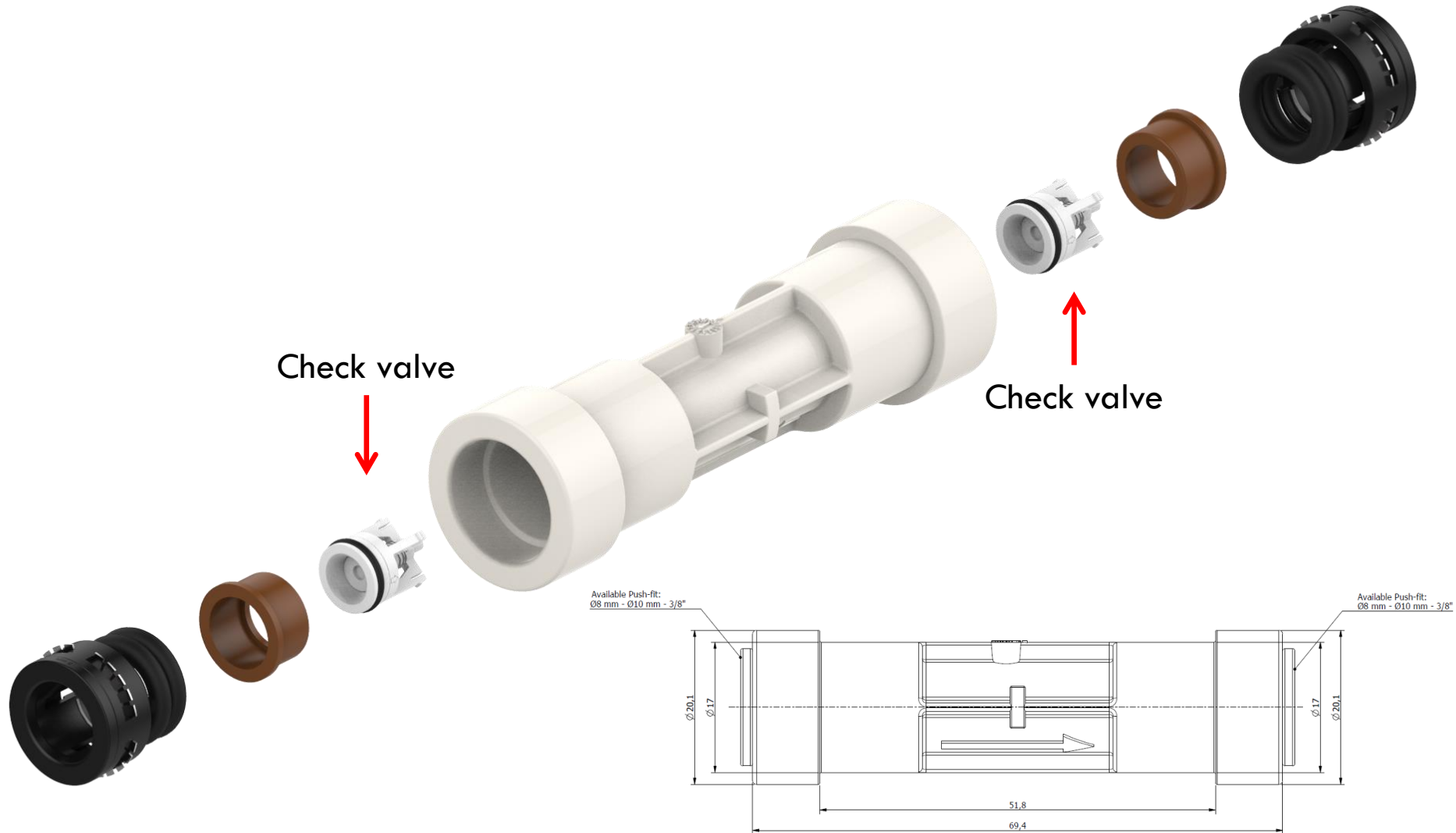




# Exploded view

100%  
MADE IN ITALY

8







# Physical characteristics

100%  
MADE IN ITALY

9



Polycarbonate (PC)



Nylon (PA 66 GF 30%)



Ultem (PEI)



# Certifications

100%  
MADE IN ITALY

10

- MOCA
- DIN EN 61770 (VDE 0700-600):2010-05;

EN 61770:2009

VDE Prüf- und  
Zertifizierungsinstitut



VDE Prüf- und Zertifizierungsinstitut GmbH · Meranstraße 28 · 63069 Offenbach

R.P.E. S.R.L.  
Via S. Ambrogio  
Mr. Marco Vignando  
22070 CARBONATE CO  
ITALIEN



Offenbach, 2015-03-09

|                         |                           |  |
|-------------------------|---------------------------|--|
| Your ref.<br>Laura Riva | Your letter<br>2014-10-17 | Our ref. - please indicate<br>1381400-2529-0001/204463<br>AS6/ams-wj |
|-------------------------|---------------------------|--|

|                      |                    |
|----------------------|--------------------|
| Contact<br>Mr. Ameis | +49 69 8306 416    |
| Tel                  | +49 69 8306 320    |
| Fax                  | jens.ameis@vde.com |

Translation: In any case the German version shall prevail

**PRÜFBERICHT**  
zur Information des Auftraggebers  
*Test Report for the Information of the applicant*

**Produkt / Product:** Dynamic backflow preventer  
**Typ / Type:** F31430ZZ

Dear Mr. Marco Vignando,

dieser Prüfbericht enthält das Ergebnis einer einmaligen Untersuchung an dem zur Prüfung vorgelegten Erzeugnis. Ein Muster dieses Erzeugnisses wurde geprüft, um die Übereinstimmung mit den nachfolgend aufgeführten Normen bzw. Abschnitten von Normen festzustellen. Die Prüfung wurde durchgeführt vom 2015-01-21 bis 2015-03-06.

*This test report contains the result of a singular investigation carried out on the product submitted. A sample of this product was tested to found the accordance with the thereafter listed standards or clauses of standards resp. The testing was carried out from 2015-01-21 to 2015-03-06.*

Der Prüfbericht berechtigt Sie nicht zur Benutzung eines Zertifizierungszeichens des VDE und berücksichtigt ausschließlich die Anforderungen der unten genannten Regelwerke.

A COMPANY OF THE **VDE** ASSOCIATION FOR ELECTRICAL, ELECTRONIC & INFORMATION TECHNOLOGIES

|   |  |   |   |
|---|--|---|---|
| <b>Managing Director</b><br>Dir.-Ing. Michael Jungbluth, CEO<br>EUR-Exp.-Ing. Rüdiger Heeseler<br>Meranstraße 28<br>63069 Offenbach<br>e-mail: vde-mail@vde.com<br>http://www.vde.com | <b>Verein</b><br>Frankfurt am Main<br>HRB 43618<br>VAT-IdNo.: DE261622990<br>Tax No.: HA20202066<br>Phone: +49 (0) 69 83 36-0<br>Fax: +49 (0) 69 83 36-355 | <b>Make Payments to</b><br>Commerzbank AG Frankfurt<br>BLZ 550 500 00<br>Account No.: 106 027 000<br>BIC: COMDE33HAN<br>CRS: DE FF XXX<br>IBAN: DE91 550800000100027000 | <b>Notified Body according to the Product Safety Act (ProdSG) and the EMC Directive 2004/108/EC: Accredited according to DIN EN ISO/IEC 17021, 17025 and 17065. Recognized Testing and Certification Body for International IEC certification schemes (IECEE and IECQ) and European certification schemes (CEC, VDE, ENEC).</b> |
|---|--|---|---|



-/2



# Thanks

100%  
MADE IN ITALY

11



Nothing great has ever been done without passion